

# INSTRUCTIONS

## MOBILE FURNITURE RACK

### IMPORTANT SAFETY INSTRUCTIONS

**WARNING/CAUTION!** The exclamation point within an equilateral triangle is intended to alert the user to the presence of important operating and maintenance (servicing) instructions in the literature accompanying the appliance

**AVERTISSEMENT /ATTENTION!** Le point d'exclamation dans un triangle équilatéral est destiné à alerter l'utilisateur de la présence d'importants instructions d'opération et de maintenance (entretien) dans la documentation accompagnant l'appareil.

**WARNING!** Failure to read, understand and follow the following information can result in serious personal injury, damage to the equipment or voiding of the warranty. It is the responsibility of the Installer/User to ensure that this product is loaded according to specifications.

**AVERTISSEMENT** Refus de lire, comprendre et suivre la renseignements suivants peut traduire par de graves blessures, des dommages à l'équipement ou invalider la garantie. Il est la responsabilité de l'installateur / utilisateur de s'assurer que ce produit est chargé conformément aux spécifications.

**CAUTION!** To avoid an unstable condition, place heavier components at the bottom of the cabinet. When more than one component is placed in the cabinet, begin at the bottom of the cabinet and place equipment at the lowest available point, evenly distribute weight (vertically) within the cabinet. (A rear rack-rail kit is available to assist in the distribution of weight within the cabinet space.)

**ATTENTION!** Pour éviter une condition instable, placer des composants plus lourds dans le bas de l'armoire. Lorsque plus d'un composant sera placé dans l'armoire, commencez en bas de l'armoire, placent l'équipement sur le point le plus bas disponible, distribuant uniformément le poids (verticalement) dans l'armoire. (Un kit à crémaillère arrière est disponible pour aider à la distribution de poids dans l'espace de l'armoire.)

**CAUTION!** Do not lift a cabinet with components installed. Damage could occur to the component, the cabinet and possible injury to the user.

**ATTENTION!** Ne pas soulever de l'armoire avec l'équipement installés. Dommages à l'équipement, et de l'armoire, et risque des blessures pour l'utilisateur

**WARNING!** For use with televisions weighing 35lbs (15.9 Kg) or less. Use with heavier televisions may result in instability causing tip over resulting in death or serious injury".

**AVERTISSEMENT -** Pour utilisation avec des téléviseurs pesant 35 lbs (15,9 kg) ou moins. Utilisation avec des téléviseurs plus lourds peut provoquer une instabilité entraînant l'unité a basculer, que peut causer la mort ou des blessures graves. Capacité maximum du cabinet: 250lbs; Poids maximum du monitor: 35 lbs; Ne pas placer l'équipement sur la surface supérieure.

**WARNING!** Relocating audio and/or video equipment to furniture not specifically designed to support audio and/or video equipment may result in death or serious injury due to the furnishing collapsing or over turning onto a child".

**AVERTISSEMENT -** Déplacement de l'équipements audio et / ou vidéo sur des meubles pas conçu spécifiquement à soutenir l'équipement audio et / ou vidéo peuvent entraîner la mort ou des blessures graves cause par l'effondrement du meuble ou en basculant sur un enfant.

**WARNING!** Death or serious injury may occur when children climb on audio and/or video equipment furniture. A remote control or toys placed on the furnishing may encourage a child to climb on the furnishing and as a result the furnishing may tip over on to the child".

**AVERTISSEMENT -** Mort ou blessures graves peuvent se produire lorsque les enfants montent sur des meubles pour l'audio et / ou vidéo. Une télécommande ou des jouets mis sur le mobilier peuvent encourager un enfant à grimper sur le meuble, provoquant une instabilité et entraînant l'unité a basculer sur l'enfant.

**NOTE:** Component weight should be distributed as follows:

- 1/2 of the total component weight (at a minimum) placed in the bottom third of the cabinet
- 1/4 of the total component weight (at a maximum) placed in the middle third of the cabinet
- 1/4 of the total component weight (at a maximum) placed in the top third of the cabinet



## HARDWARE LIST

MODEL NUMBER	#10 x 3/4" PHILLIPS WOOD SCREWS	RACKRAIL
MFR-RRK-12	8	2
MFR-RRK-16	8	2
MFR-RRK-20	12	2

## RATINGS

WEIGHT RATING	DETAILS
Internal (cabinet)	250 lbs
Top Surface	50 lbs
Monitor Mount	35 lbs

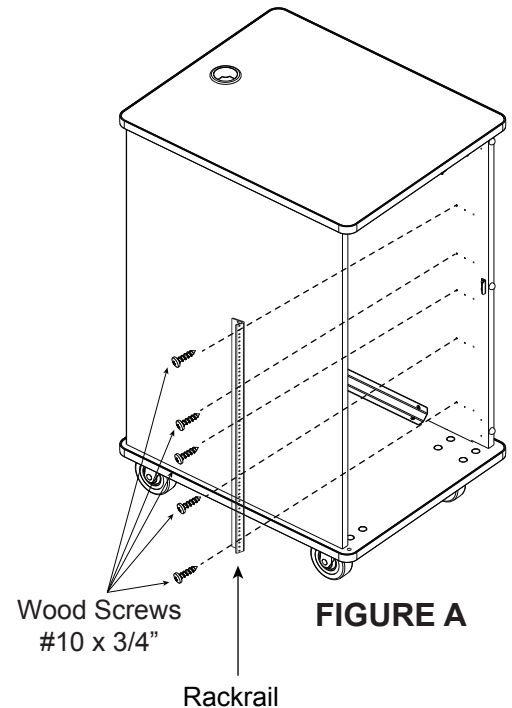
## TOOLS REQUIRED

#2 Phillips screwdriver

## FRONT RACKRAIL DEPTH ADJUSTMENT

- 1) Remove wood screws from each Rackrail. **(FIGURE A)**
- 2) Remove Rackrail and select new front Rackrail depth from available mounting holes. **(FIGURE A)**
- 2) Align wood screws with pre-drilled holes in MFR and secure rackrail to each side as shown. **(FIGURE A)**

**NOTE:** Ensure Rackrail remains level when selecting new mounting holes.



## **WARRANTY**

Middle Atlantic Products (the "Company") warrants the Mobile Furniture Rack to be free from defects in material or workmanship under normal use and conditions for a period of (7) three years from date of shipment by the Company.

The Company's entire liability to the purchaser, and the purchaser's (or any other party's) sole and exclusive remedy, under this warranty shall be limited, at the Company's option, to either (a) return of and refund of the price paid for, or (b) repair or replacement at the Company's factory of the products purchased, or any part or parts thereof, which the Company has determined to be defective after inspection thereof at the Company's factory.

This warranty does not cover damage due to acts of God, accident, misuse, abuse or negligence by parties other than the Company, or any modification or alteration of the products. In addition, this warranty does not cover damage due to improper handling, assembly, installation or maintenance.

THIS WARRANTY IS IN LIEU OF ALL OTHER WARRANTIES OF ANY KIND, EITHER EXPRESSED OR IMPLIED, INCLUDING, BUT NOT LIMITED TO, IMPLIED WARRANTIES OF MERCHANTABILITY AND FITNESS FOR A PARTICULAR PURPOSE.

TO THE MAXIMUM EXTENT PERMITTED BY APPLICABLE LAW, IN NO EVENT SHALL THE COMPANY BE LIABLE FOR ANY SPECIAL, INCIDENTAL, INDIRECT, OR CONSEQUENTIAL DAMAGES WHATSOEVER (INCLUDING, WITHOUT LIMITATION, DAMAGES FOR LOSS OF BUSINESS PROFITS, BUSINESS INTERRUPTION OR ANY OTHER PECUNIARY LOSS) ARISING OUT OF THE USE OF THE PRODUCTS PURCHASED, EVEN IF THE COMPANY HAS BEEN ADVISED OF THE POSSIBILITY OF SUCH DAMAGES. THE COMPANY'S LIABILITY TO THE PURCHASER (OR ANY OTHER PARTY) HEREUNDER, IF ANY, SHALL IN NO EVENT EXCEED THE PURCHASE PRICE OF THE PRODUCTS PAID TO THE COMPANY.

### **Corporate Headquarters**

Corporate Voice 973-839-1011 - Fax 973-839-1976 / International Voice +1 973-839-8821 - Fax +1 973-839-4982  
middleatlantic.com - info@middleatlantic.com

### **Middle Atlantic Canada**

Voice 613-836-2501 - Fax 613-836-2690 / middleatlantic.ca - customerservicecanada@middleatlantic.ca

### **Factory Distribution**

USA: NJ - CA - IL Canada: ON - BC

**At Middle Atlantic Products we are always listening. Your comments are welcome.**